



Job Posting: *Utility Plant Field Technician*

Location: Wake Forest, NC

Date: 8/19/2021

Full Time Position

Hourly Pay \$20-30/HR (+ Bonuses, Benefits)

BOILER LIFE

About Utility Plant Solutions

Utility Plant Solutions provides start-up, installation, and commissioning of central utility plants using steam, hot water, and chill water. Work includes the operation, troubleshooting, and repair of industrial and commercial boilers, chillers, and controls. Our customers consist of Universities, Pharmaceutical Companies, Power Plants, Manufacturing and various others.

Field Technician

We are looking for energetic employees who want to work, learn and make a good living. Field Technicians work with other Service Technicians to provide mechanical, electrical, and controls installation for various equipment and systems. Mechanical installations include boilers, burners, pumps, piping, etc. Electrical installations include services for pumps, fans, VFD's, etc as well as control wiring for a multitude of systems and equipment. The Technician will be responsible for coordinating, managing, and installation of mechanical and electrical systems, controls, and devices. The Technician will be responsible for ensuring that all installations meet the standards required by our customers.

Requirements

Candidates must be at least 18 years old and have a High School degree or GED. Applicants need a clean NC driving record and means to get to work every day. A background check will be performed on all candidates. The applicant will be drug tested due to Federal Contracts and must be Drug Free.

Utility Plant Solutions



1005 Hialeah Ct. Wake Forest, NC 27587

PHONE:(919) 801-6452 E-MAIL: jfidgeon@utilityplantsolutions.com WEB SITE:www.UtilityPlantSolutions.com



All candidates should possess common sense and demonstrate troubleshooting aptitude. Applicants must be comfortable working in extreme heat, working around steam, hot water, ladders, lifts, confined spaces and boilers with fire. Applicants should be willing to work weekends and Holidays as needed and exhibit a positive work attitude.

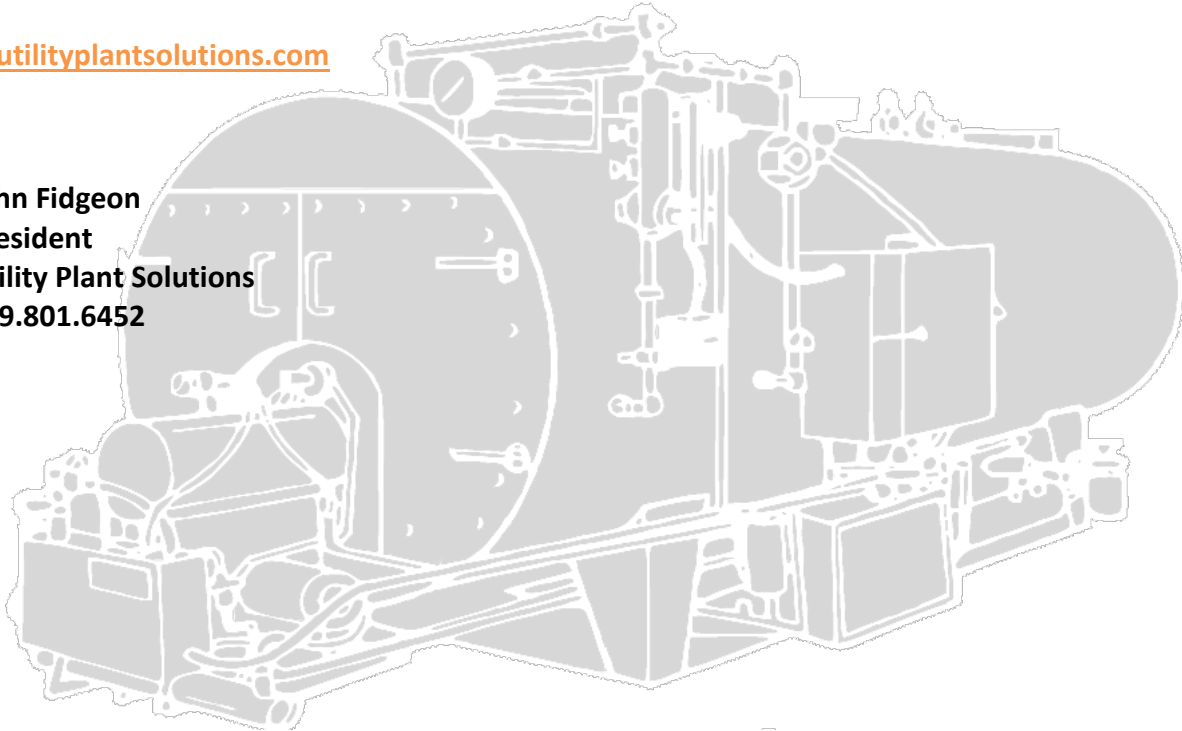
Benefits

After (30) thirty days of continuous employment, employees are offered an opt in comprehensive healthcare package. After (6) six months of continuous employment, employees are offered a 401k retirement plan. We compensated our employees well, and bonuses are based on an employees work efforts and profit margins.

Please Email a current Resume with Cover Letter to the e-mail address below.

jfidgeon@utilityplantsolutions.com

John Fidgeon
President
Utility Plant Solutions
919.801.6452



Utility Plant Solutions



1005 Hialeah Ct. Wake Forest, NC 27587

PHONE:(919) 801-6452 E-MAIL: jfidgeon@utilityplantsolutions.com WEB SITE:www.UtilityPlantSolutions.com